

**NEW
PRODUCT!**

77mm Widespan Roller Shutter

Widespan Residential & Commercial Applications



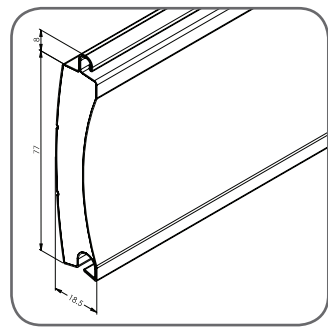
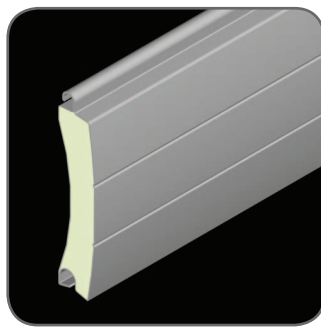
This roller shutter range is made with a precision roll formed roller shutter profile, and is suitable for many widespan applications.

Suitable Applications

- Residential Garage Doors.
- Commercial Garage Doors.
- Commercial Windows.
- Commercial Shop Fronts & Doorways.
- Entry Level Security for Factories, Warehouses, Clubs, Pubs & Hotels, Restaurants, Pharmacies & Sports Complexes.

Features

- High quality aluminium alloy construction.
- Foam filled profile for additional strength, security and silent operation.
- High quality painted finish.
- Smooth and curved face profile.
- Rolls smaller than traditional steel roller doors.
- Range of colours.
- Double coated + lacquer for abrasion resistant finish.
- Comprehensively engineered for extra strength.
- Heavy duty guides and bottom bar.
- Fully enclosed pelmet with internal rollers and reinforcement side plates.
- Suitable for widespan widths up to 5900mm.
- Can be manually operated or motorised.
- Made in Australia.



Technical Specifications

| | |
|---------------------------|---|
| Maximum Shutter Width | 5900mm |
| Maximum Shutter Height | 3000mm |
| Maximum Surface Area | 15m ² (depending on wind zone) |
| Weight/Metre ² | 5kg |
| Number Of Slats/Metre | 13 |
| Profile Slat Covering | 77mm |
| Profile Slat Thickness | 18.5mm |
| Axle Types | Octagonal or Round Steel |
| Bottom Bar Dimensions | 106mm x 19mm |
| Guide Dimensions | 105mm x 37mm/26mm |
| Paint Finish | Polyurethane/Polyamide (PU/PA) |
| Inner Profile Foam Type | Poly Urethane (CFC Free) |

* CW Products recommends the use of Photo Safety Cells when installing automated roller shutters over openings and doorways. Especially when the roller shutter is not in full view of the operator (eg. when using a remote control or wall switch positioned away from the roller shutter and out of view). When using a wall switch, we recommend a spring return switch/deadman switch.

General Note: All dimensions and colours are indicative only and may change without notice. Profile technical specifications and shutter performance may vary in certain applications, eg. wide applications with no solid structure behind the roller shutter. For more information please contact your CW Products representative.



Pelmet Sizes & Maximum Shutter Height

| Pelmet Box Size | Max. No. Of Slats | Max. Shutter Height | Axle Size |
|-----------------|-------------------|---------------------|--------------------|
| 250mm | 23 | 2000mm | 101mm with adaptor |
| 250mm | 21 | 1800mm | 130mm with adaptor |
| 300mm | 39 | 3200mm | 101mm with adaptor |
| 300mm | 36 | 3000mm | 150mm with adaptor |

Wind Speeds & Maximum Shutter Width

| Wind Speed | Max. Shutter Width | Max. Surface Area |
|------------|--------------------|---------------------|
| 11.2m/sec | 4400mm | 13.23m ² |
| 13m/sec | 3520mm | 10.56m ² |
| 15.8m/sec | 3060mm | 9.18m ² |
| 20.4m/sec | 2670mm | 8.01m ² |

Control Options

Manual Options

Motorised Options



Steel Cable Winder
(Up To 50Kg)



Wall Switch
With 240V
Electric Motor



Remote Control
With 240V
Electric SIMU Hz
Motor



Key Switch
With 240V
Electric Motor



Crank Handle
With 240V
Electric Manual
Override Motor



S-05 Remote Control
(Key Ring Transmitter)
With 240V
Electric Motor
& Multi-Function
S-05 Radio Receiver
& Control Unit

Roller Shutter Colour Options

| Profiles | Pelmets/Side Frames/ Guides/Bottom Bars |
|---------------|---|
| Cream | Cream |
| Clear Beige | Clear Beige |
| White | White |
| Grey | Brown |
| Brown | Black |
| Black | Woodland Grey |
| Silver | Powder coated options available (additional charges apply) |
| Woodland Grey | |

For more information on the 77mm Widespan Roller Shutter, please contact your nearest dealer, installer or visit www.cwproducts.com.au!

Authorised Dealer:

Illustrations, photos and colours shown in this brochure are for illustrative purposes only. All technical specifications and dimensions are correct at time of printing and may change without notice. Profile technical specifications and shutter performance may vary in certain applications, eg. wide applications with no solid structure behind the roller shutter. For more information please contact your CW Products representative. © 2015 CW Products.

Exclusively distributed in Australia by **CW Products**
13-23 Doecke Road Murray Bridge SA 5253
Tel: +61 8 8341 0120 **Fax:** +61 8 8341 1750
Web: www.cwproducts.com.au



CW PRODUCTS
HOME AUTOMATION & ROLLER SHUTTERS