

HIGH QUALITY, STYLISH SUN & WIND SENSOR FOR THE WIRELESS CONTROL AND PROTECTION OF AWNINGS, ROLLER SHUTTERS & SUNSCREENS



SIMU EOSUN Hz WIRELESS AUTOMATIC SUN & WIND SENSOR (USED WITH SIMU T3.5 Hz02, T5 Hz02, T6 Hz02, T5 DMI Hz01, T5 ESP Hz, T6 ESP Hz MOTORS)



INTELLIGENT, SAFE, QUICK, RELIABLE, WIRELESS & EASILY INTEGRATED

The EOSUN Hz Sun & Wind Sensor manages the opening and closure of awnings and most sun protection and roller shutter applications according to external weather conditions. The intelligent EOSUN Hz is integrated with SIMU's advanced Hz Radio Remote Control Technology, making installation quick and easy with no wiring required between the EOSUN Hz and the motor. Saving time and money, installing is a breeze and users can have the freedom, comfort and control of the application wirelessly via the stylish range of SIMU EOSUN Hz Transmitters (come in both 1 channel and 5 channel options). EOSUN Hz can control the closure of your application when it is windy, to protect it, and can control the opening of the application when it is sunny, to provide the user protection against the sun. EOSUN Hz offers users optimal comfort and also ensures the application's security and longevity by protecting it against weather damage. For maximum product security, wind detection always has priority over sun detection.

TWO STYLISH REMOTE OPTIONS

The high performance EOSUN Hz remotes come in both 1 channel and 5 channel options and allow for the intelligent and easy control of dual wind and sun functionality.

STURDY, QUALITY CONSTRUCTION

SIMU high performance Hz controls and sensors are made in France and are reputed for high quality and reliability.

Other features include:

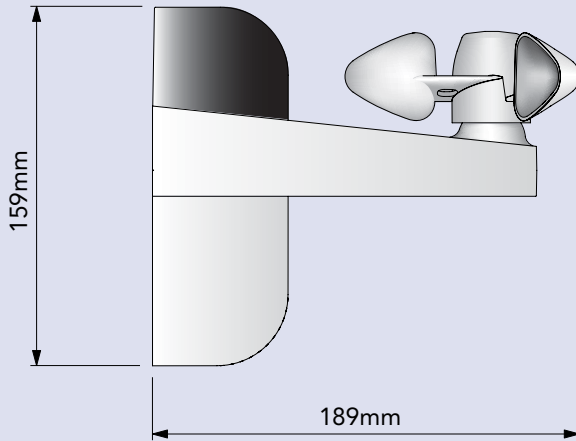
- Integrated with SIMU Hz radio remote control receiver
- Safe & secure rolling code radio system with over 16 million possible combinations
- Powerful radio remote control range of up to 200m in free field and 20m between 2 concrete walls
- Suitable for a wide range of SIMU Hz motors.






CW PRODUCTS
HOME AUTOMATION & ROLLER SHUTTERS



EOSUN Hz SENSOR DIMENSIONS



PRODUCT CODES

Description	Product Code	Colours
EOSUN Hz Wind & Sun Sensor	41-999-158	 White
1 Channel EOSUN Hz Transmitter	41-999-388	 White
5 Channel EOSUN Hz Transmitter	41-999-389	 White

GENERAL EOSUN Hz TECHNICAL SPECIFICATIONS

Power supply	240 Volts - 50 Hz
Protection index	IP 34
Wireless switch	Class II
Ambient temperature of use	from -20°C to +50°C
Radio frequency	433.42 MHz
Secure communication	thanks to "Rolling Code" encoding technology which enables more than 16 million combinations
Range <small>Depending on environment and radio pollution</small>	- 200m in free field - 20m between two reinforced concrete walls
Wind speed threshold adjustment	10 to 50 km/h
Sunlight intensity threshold adjustment	0 to 50 klux

INTERNATIONAL STANDARDS



General Note: All photos for illustrative purposes only. Technical specifications are correct at time of printing and may change without notice.

Exclusively distributed in Australia by **CW Products**
 126-138 Port Road Alberton South Australia 5014
Ph: (08) 8341 0120 **Fax:** (08) 8341 1750
Email: info@cwproducts.com.au **Web:** www.cwproducts.com.au

